

Distributed by:



IPS7112G-4GS-8GPOE

Industrial PoE Switch User Manual

Shenzhen 3onedata Technology Co., Ltd.

Add: 3/B, Zone 1, Baiwangxin High Technology Industrial park, Nanshan District, Shenzhen, 518108 China

Tel: +86-755-26702668

Fax: +86-755-26703485

E-mail: sales@3onedata.com

Website: www.3onedata.com

【Summarize】

IPS7112G-4GS-8GPOE is an industrial grade, managed and redundancy Ethernet switch which supports 8 Gigabit PoE ports and 4 Gigabit SFP slots. The switches are classified as power source equipment (PSE) which can be used to power IEEE802.3af/at standard devices (PD), eliminating the need for additional wiring. It provided some kinds of advanced network managed function, such as: SW-Ring redundancy ring network, STP/RSTP/MSTP, VLAN, Trunking, 802.1X, SNMP, LLDP, SSH, Quality of Service, Speed control, port mirroring, fault alarm and firmware upgrade online. SW-Ring can bring your Ethernet to intelligent redundancy. Standard Industry design, can satisfied every requirement of the industry scene. All components use industrial design, which makes product high reliability. It provided wide voltage power supply input. The switch accorded to CE, FCC standard and Industry grade 4 design requirement, support 2 channel DC power input and 1 channel relay alarm output, and -40~70°C working temperature, can meet all kinds of industrial environment requirement and provide the solution of the economy.

【Packing list】

The industrial PoE switch is shipped with the following items. If any of these items are missing or damaged, please contact your customer service representative for assistance.

- Industrial PoE switch x 1
- User manual x 1
- Documentation and software CD x 1
- DIN-Rail mounting kit x 1
- Warranty card x 1

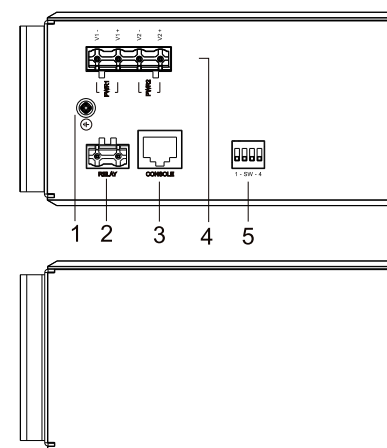
【Feature】

- Support IEEE802.3, IEEE802.3u, IEEE802.3z/ab, IEEE802.3x, IEEE802.3af/at, IEEE802.1Q, IEEE802.1p,

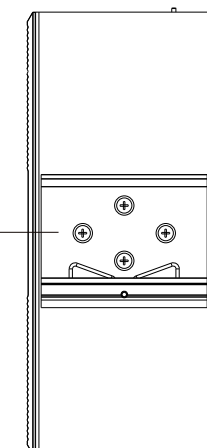
- IEEE802.1W/D, IEEE802.1s, IEEE802.3ad, IEEE802.1X
- Support 8 10/100/1000Base-T(X) PoE RJ45 Ethernet ports and 4 Gigabit SFP slots
- SW-Ring ring network patent technology (Fault recovery time<20ms)
- Support STP/RSTP/MSTP to enhance network stability
- Support IEEE802.1X, HTTPS, and SSH to enhance network security
- Support ACL function to enhance flexibility and security of network management
- Support static multicast, IGMP Snooping and GMRP
- Support Port based VLAN and IEEE 802.1Q VLAN
- Support QoS absolutely and opposite priority
- Support bandwidth management and storm suppression
- Support WEB, SNMP, LLDP and Telnet configuration
- Support port mirror and port trunking
- Support configuration file up and download
- Support redundancy DC power supply(48VDC)
- Support 1 channel relay alarm output
- Industrial grade 4 design, -40-70°C work temperature
- IP40 protection grade, DIN-Rail mounting

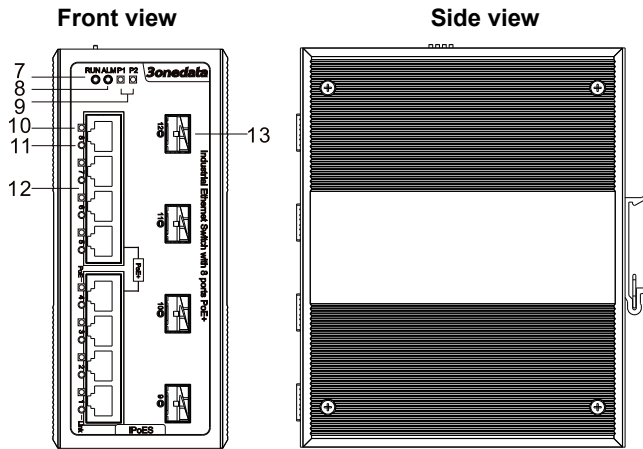
【Panel layout】

Vertical view and bottom view



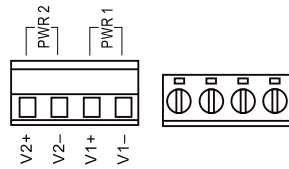
Rear view





1. Ground screw
2. Terminal block for relay output
3. Console port
4. Terminal block for power input (PWR1, PWR2)
5. DIP switches
6. DIN-Rail mounting kit
7. System running indicator
8. Relay alarm indicator
9. Power input P1(P2) LED
10. PoE port Link/ACT indicator
11. Ethernet port Link/ACT indicator
12. Gigabit PoE port
13. Gigabit SFP port

【Power supply input】

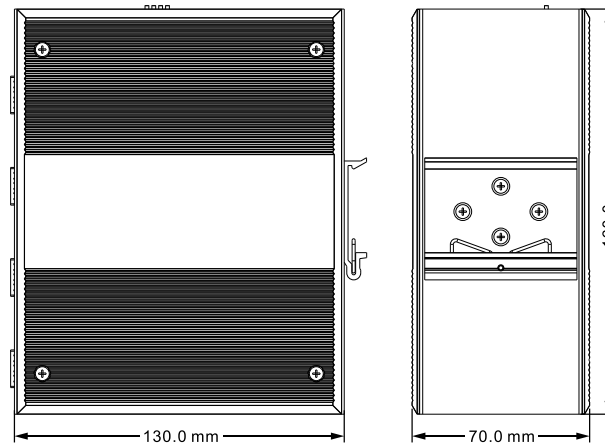


The product top panel provided 4 bit power supply input terminal block, support DC input. DC power supply input

supported redundancy function, provided PWR1 and PWR2 power input, can use for single, and can connect 2 separately power supply system, use 1 pair terminal block connect the device at the same time. If one of the power systems broke, the device can work un-interruptible. Built-in overcorrect protection, Reverse connection protection. Voltage input range is 48VDC (terminal block defined as: V1-, V1+, V2-, V2+). The power supports reverse connection protection.

【Dimension】

Unit (mm)



【Relay connection】

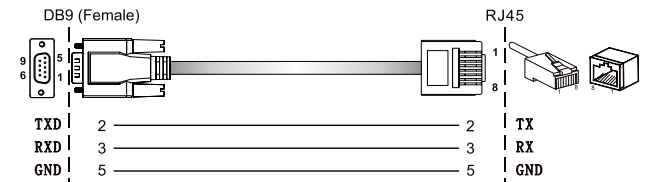


Relay access terminals in the top panel of the device. Between the two terminal relay, as an open circuit state in normal non alarm state, when there is power alarm information to the closed state. The two terminal block connector are used to detect power failure and network anomaly. The two wires attached to the Fault contacts form

a closed circuit when the device port connection disconnect or has lost power supply from one of the DC power inputs. The user can connect the relay to the lamp indicate or buzzer alarm to remind the relevant staff.

【Console port】

This series product provided 1pcs procedure test port based in serial port. It adopts RJ45 interface, located in top panel, can configure related command through RJ45 to DB9 female cable.



【DIP Switch】

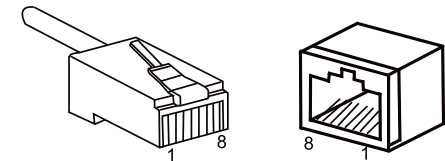


Top panel provided 4 bits DIP switch to do function configure (ON to enable effective), 1 and 4 keep for future function. 2 is recovery default factory. 3 is for upgrade. Please power off and power on when you change the status of DIP switch.

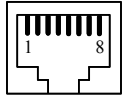
【Communication connector】

10/100/1000BaseT(X) Ethernet port

The pinout of RJ45 port display as below, connect by UTP or STP. The connect distance is no more than 100m. 1000Mbps is used 120Ω of UTP 5e; 100Mbps is used 120Ω of UTP 5; 10Mbps is used 120Ω of UTP 3, 4, 5.



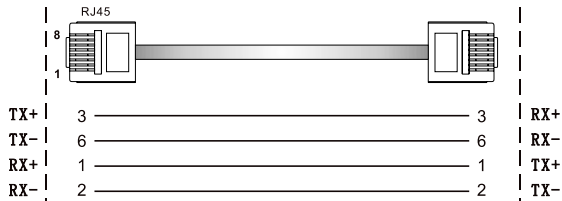
RJ 45 port support automatic MDI/MDI-X operation. That can connect the PC, Server, Converter and HUB. Pin 1, 2, 3, 4, 5, 6, 7, 8 Corresponding connections in MDI. 1→3, 2→6, 3→1, 4→7, 5→8, 6→2, 7→4, 8→5, are used as cross wiring in the MDI-X port of Converter and HUB. In MDI/MDI-X, 100/1000Base-TX PIN defines is as follows:



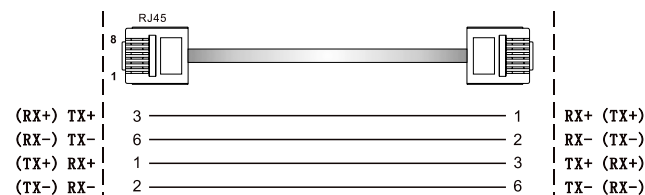
PIN	MDI	MDI-X
1	BI_DA+/TX+	BI_DB+/RX+
2	BI_DA-/TX-	BI_DB-/RX-
3	BI_DB+/RX+	BI_DA+/TX+
4	BI_DC+/-	BI_DD+/-
5	BI_DC-/-	BI_DD-/-
6	BI_DB-/RX-	BI_DA-/TX-
7	BI_DD+/-	BI_DC+/-
8	BI_DD-/-	BI_DC-/-

Note: 10Base-T/100Base-TX, "TX±"transmit data±, "RX±"receive data±, "—"not use.

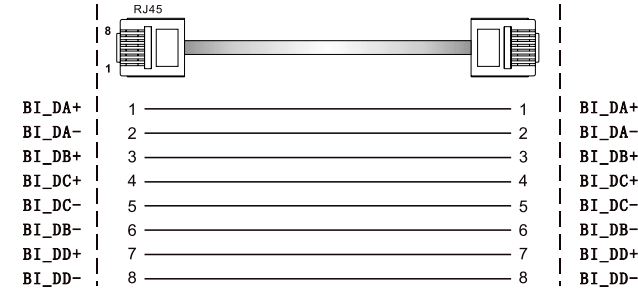
10/100Base-T(X) MDI (straight-through cable)



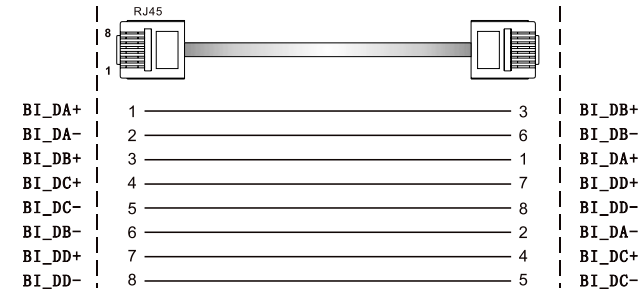
10/100Base-T(X) MDI-X (Cross over cable)



Gigabit MDI (straight-through cable)



Gigabit MDI-X (Cross over cable)

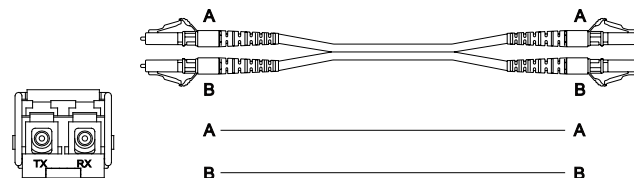


MDI/MDI-X auto connection makes switch easy to use for customers without considering the type of network cable.

1000Base-X fiber port(mini-GBIC)

1000Base-X fiber port adopts gigabit mini-GBIC transmission, can choice different SFP module according to different transfer distance. Fiber interface must use for pair, TX port is transmit side, must connect to RX (receive side). The fiber interface support loss line indicator.

Suppose: If you make your own cable, we suggest labeling the two sides of the same line with the same letter (A-to-A and B-to-B, shown as below, or A1-to-A2 and B1-to-B2).



【LED Indicator】

LED indicator light on the front panel of product, the function of each LED is described in the table as below.

System indication LED		
LED	State	Description
P(1~2)	ON	Power is being supplied to power input PWR input
	OFF	Power is not being supplied to power input PWR input
RUN	ON/OFF	System is not running well
	Blinking	System is running well
ALM	ON	When the alarm is enabled, power or the port's link is inactive.
	OFF	Power and the port's link is active, the alarm is disabled.
Link/ACT (1~12)	ON	Port connection is active
	OFF	Port connection is not active
	Blinking	Data transmitted
POE(1~8)	ON	The PoE device is connected by IEEE802.3af/at standard
	OFF	No PoE power output or no PoE connected PoE devices

【Installation】

Before installation, confirm that the work environment meet the installation require, including the power needs and abundant space. Whether it is close to the connection equipment and other equipments are prepared or not.

1. Avoid in the sunshine, keep away from the heat fountainhead or the area where in intense EMI.
2. Examine the cables and plugs that installation requirements.
3. Examine whether the cables be seemly or not (less than

100m) according to reasonable scheme.

4. Power: 48VDC power input

5. Environment: Working temperature: -40~70°C

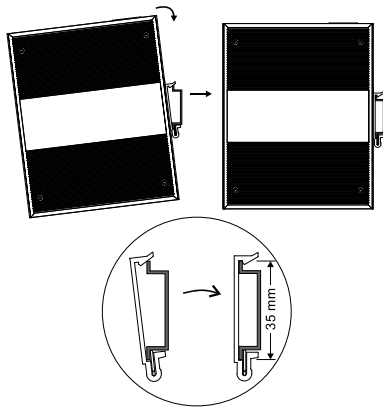
Storage temperature: -40~85°C

Relative humidity: 5%~95%

DIN Rail Installation

In order to use in industrial environments expediently, the product adopt 35mm DIN-Rail installation, the installation steps as below:

1. Examine the DIN-Rail attachment
2. Examine DIN Rail whether be firm and the position is suitability or not.
3. Insert the top of the DIN-Rail into the slot just below the stiff metal spring.
4. The DIN-Rail attachment unit will snap into place as shown below.



Wiring Requirements

Cable laying need to meet the following requirements,

1. It is needed to check whether the type, quantity and specification of cable match the requirement before cable laying;
2. It is needed to check the cable is damaged or not, factory records and quality assurance booklet before cable laying;

3. The required cable specification, quantity, direction and laying position need to match construction requirements, and cable length depends on actual position;
4. All the cable cannot have break-down and terminal in the middle;
5. Cables should be straight in the hallways and turning;
6. Cable should be straight in the groove, and cannot beyond the groove in case of holding back the inlet and outlet holes. Cables should be banded and fixed when they are out of the groove;
7. Pigtail cannot be tied and swerved as less as possible. Swerving radius cannot be too small (small swerving causes terrible loss of link). Its banding should be moderate, not too tight, and should be separated from other cables;
8. It should have corresponding simple signal at both sides of the cable for maintaining.

【Specification】

Technology

Standard: IEEE802.3, IEEE802.3u, IEEE802.3z/ab, IEEE802.3af/at, IEEE802.3x, IEEE802.1Q, IEEE802.1p, IEEE802.1W/D, IEEE802.1s, IEEE802.3ad, IEEE802.1X

Protocol: ARP, ICMP, TCP, DHCP, DNS, HTTP, Telnet, SW-Ring, RSTP, MSTP, LLDP, SSH, LACP, ACL, IGMP, GMRP, SNMP

Flow control: IEEE802.3x flow control, back press flow control

Function

Switch function: POE, SW-Ring, QOS, 802.1QVLAN, RSTP, MSTP, LLDP, LACP, ACL, ROMN, GMRP, IGMP Snooping, SNMP, Port trunking, static multicast filter, port mirroring, bandwidth management, broadcast storm control, port flow statistics, upgrade online, up

and download configuration file, user name access system

SW-Ring: Support Single, Couple, Chain, Dual homing

Exchange attribute

100M forward speed: 148810pps

1000M forward speed: 1488100pps

Transmit mode: store and forward

System exchange bandwidth: 24Gbps

MAC address table: 8K

Memory: 4Mbit

Interface

Gigabit RJ45 port: 10/100/1000BaseT(X) auto speed control, Half/full duplex and MDI/MDI-X auto detect

PoE Pin-out: 1/2(+), 3/6(-)

Gigabit SFP port: 1000Base-X, SFP slot

Console port: RS-232 (RJ45 connector)

Alarm port: 2 bit terminal block

1 channel relay alarm output

Current load capacity 1A@24VDC

Transfer distance

Twisted cable: 100M (standard CAT5e/CAT6 cable)

Multi-mode: 1310nm, 2Km

Single-mode: 1310nm, 20/40Km

1550nm, 60/80/100/120Km

LED indicator

Run indicator: RUN

Power supply indicator: P1, P2

Alarm indicator: ALM

Interface indicator: Link (1~12)

POE indicator: POE(1~8)

Power supply

Input Voltage: 48VDC

Type of input: 4 bits 7.62mm terminal block

DC support reverse connection protection

DC support redundant power supply

Consumption

No-load consumption: 7.30W@48VDC

Full-load consumption (PoE): 103.49W@48VDC

Working environment

Working temperature: -40~70°C

Storage temperature: -40~85°C

Relative Humidity: 5%~95 %(no condensation)

Mechanical Structure

Shell: IP40 protect grade, metal shell

Installation: DIN-Rail mounting

Weight: 1.07kg

Size (W×H×D): 70mm×160mm×130mm

Industry Standard

EMI: FCC Part 15, CISPR (EN55022) class A

EMS: EN61000-4-2 (ESD), Level 3

EN61000-4-4 (EFT), Level 3

Shock: IEC 60068-2-27

Free fall: IEC 60068-2-32

Vibration: IEC 60068-2-6

Certification

CE, FCC, RoHS, UL508 (Pending)

Warranty: 5 years

The Netherlands



Elektrostraat 17
NL-7483 PG Haaksbergen

T: +31 (0)53 573 33 33
F: +31 (0)53 573 33 30
E: nl@texim-europe.com

Belgium



Zuiderlaan 14 bus 10
B-1731 Zellik

T: +32 (0)2 462 01 00
F: +32 (0)2 462 01 25
E: belgium@texim-europe.com

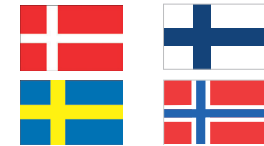
UK & Ireland



St. Mary's House, Church Lane
Carlton Le Moorland
Lincoln LN5 9HS

T: +44 (0)1522 789 555
F: +44 (0)845 299 22 26
E: uk@texim-europe.com

Nordic region



Sdr. Jagtvej 12
DK-2970 Hørsholm

T: +45 88 20 26 30
F: +45 88 20 26 39
E: nordic@texim-europe.com

Germany North



Bahnhofstrasse 92
D-25451 Quickborn

T: +49 (0)4106 627 07-0
F: +49 (0)4106 627 07-20
E: germany@texim-europe.com

Germany South



Martin-Kollar-Strasse 9
D-81829 München

T: +49 (0)89 436 086-0
F: +49 (0)89 436 086-19
E: germany@texim-europe.com

Austria



Warwitzstrasse 9
A-5020 Salzburg

T: +43 (0)662 216 026
F: +43 (0)662 216 026-66
E: austria@texim-europe.com

General information



info@texim-europe.com
www.texim-europe.com